

FRENCH DRAINS

Keep the soil out, let the water in.

Minimum Width = 12" +

Minimum Depth = 12" +

Minimum Gradient = 1/8" / 1' +

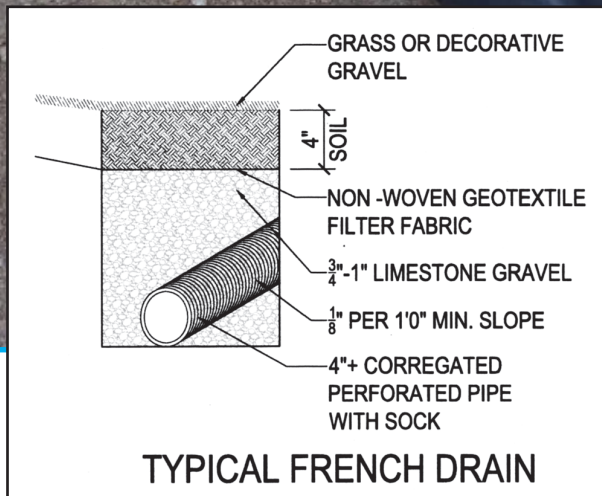
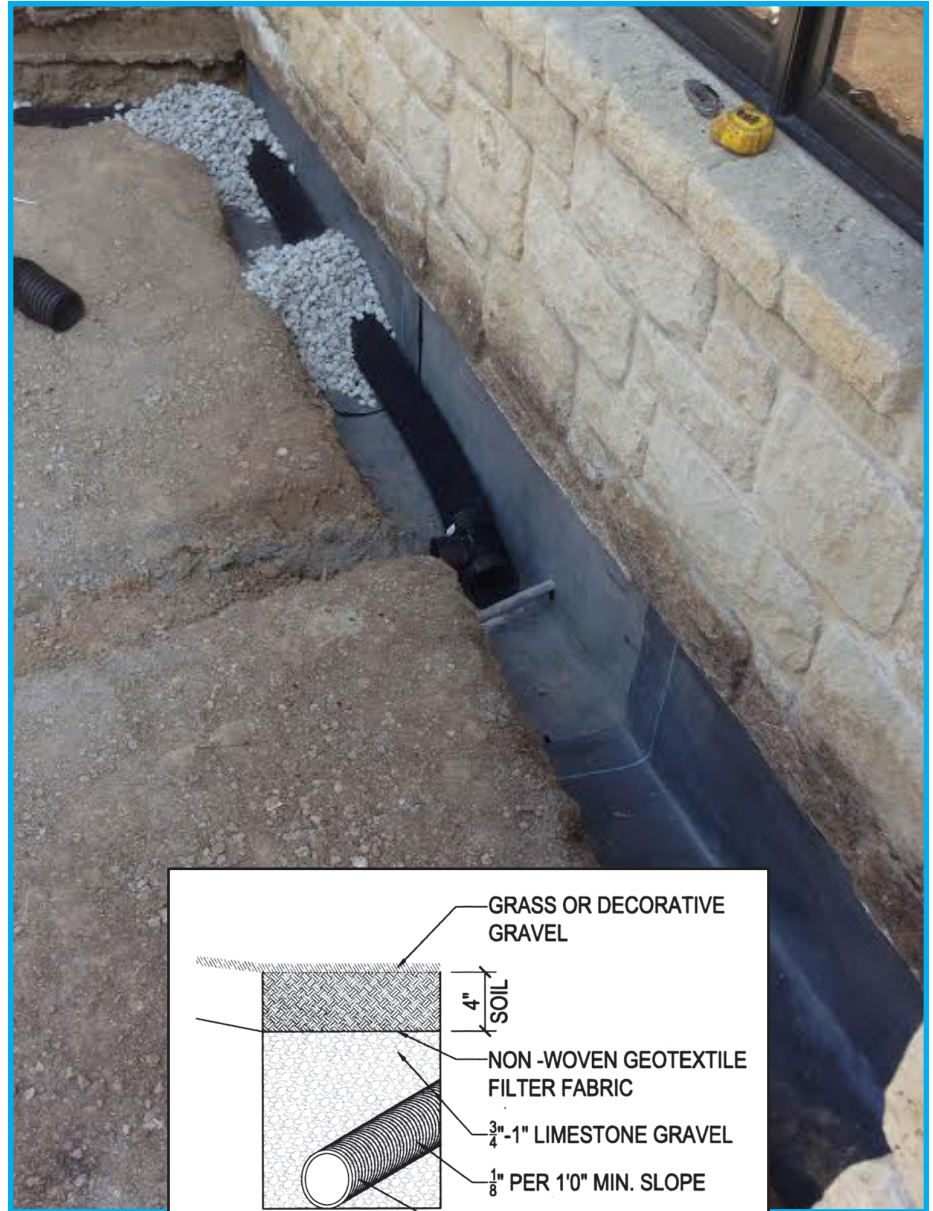
Hand trim - remove excess matter and smooth bottom

Aggregate = 3/4"-1" clean washed limestone gravel

Pipe type = ADS corrugated perforated

Filter Fabric = The entire system including gravel (not just the pipe) is encased in an extremely durable polypropylene non woven fabric. It allows for quick drainage while being resistant to rot, mold, chemicals, micro-organisms and penetration by most vegetation.

Note: Never introduce water from roofs (leaves), fast moving water or water that carries a lot of vegetation into a "french drain".



**WE CORRECT
THE CAUSE NOT JUST
THE SYMPTOM!™**



Atlantis Drainage Solutions

816-960-1552

www.atlantisdrainage.com

Licensed & Insured